

NOTE:

- THIS DRAWING IS VALID FOR 1 PC BALL VALVE WITH/WITHOUT LOCKING HANDLE. THE DIFFERENCE IS ONLY HANDLE.
- ITEM 10 - ¼" IS LOCKING SPRING WASHER WITH EXTERNAL SAWTOOTH ACCORDING TO GB/T862.2, AND THE REST IS STD SPRING WASHER AS PER GB/T93-1987.

ITEM NO.	SIZE	DIMENSION						PRESSURE
		D	L	H	A	SW	TH1	
1	½"	9.2	55.0 ±1	40.0	95.0	24.5	½" NPT(F)	1000 PSI
2	¾"	12.5	59.0 ±1	44.0	95.0	32.0	¾" NPT(F)	1000 PSI
3	2"	32.0	97.0 ±1	68.0	141.0	64.5	2" NPT(F)	1000 PSI

PRESSURE TEST SPEC.		
PRESSURE CLASS	1000 PSI	
TEST STANDARD	API 598	
PRESSURE	SHELL TEST	10.4 MPA/60S
	SEALING TEST	7.6 MPA/60S
	HERMETIC SEALING TEST	0.6 MPA/60S

DESIGN SPECIFICATION:

- DESIGN STD :-ASME B16.34
- LENGTH :- FACTORY STANDARD
- END CONNECTION :-THREADED TO ASME B1.20.1
- INSPECTION AND TESTING STD :- API 598
- PRESSURE & TEMP. :-29~38°C/6.9MPa, 160°C/2.5MPa
- AVAILABLE MEDIUM:- NON CORROSIVE OR WEAK CORROSIVE WATER,OIL,GAS,ETC. WITHOUT HARD PARTICLES

13	HANDLE COVER	P.V.C.	1
12	HANDLE	SS 304	1
11	NUT	A2-70	1
10	SPRING WASHER	SS 304	1
9	STEEL WASHER	SS 304	2
8	STEM PACKING	P.T.F.E.	1
7	STEM SEAL	P.T.F.E.	1
6	SEAT B	P.T.F.E.	1
5	SEAT A	P.T.F.E.	1
4	STEM	A276-316	1
3	BALL	A182-F316	1
2	INSERT	A351-CF8M	1
1	BODY	A351-CF8M	1
PART NO.	DESCRIPTION	MATERIAL	QTY

GENERAL NOTE:

- ALL DIMENSIONS ARE IN MM UNLESS OTHERWISE STATED.
- 100% FACTORY TESTED.
- STANDARD TOLERANCES SHALL APPLY.

DRAWING TITLE:
1 PC BALL VALVE

PREPARED BY: V.J. **CHECKED BY:** T.A.

APPROVED BY: A.Q. **DATE:** 22-DEC-2022

CLIENT NAME:

PO NO:-



QTY.: - **SCALE:** NTS **SHEET SIZE:** A4

Item No:- 1,2 & 3 **SHEET NO.:** 01 OF 01
DWG NO:- OM-001

UNITS: MILLIMETER

REVISION: 00

PRESSURE TEST SPEC.		
PRESSURE CLASS		2000 PSI
TEST STANDARD		API 598
PRESSURE	SHELL TEST	21 MPA/60S
	SEALING TEST	15.4 MPA/60S
	HERMETIC SEALING TEST	0.6 MPA/60S

GENERAL NOTE:

- ALL DIMENSIONS ARE IN MM UNLESS OTHERWISE STATED.
- 100% FACTORY TESTED.
- STANDARD TOLERANCES SHALL APPLY.

DRAWING TITLE:
2 PC BALL VALVE

PREPARED BY: V.J. **CHECKED BY:** T.A.

APPROVED BY: A.Q. **DATE:** 22-DEC-2022

CLIENT NAME:

PO NO:-

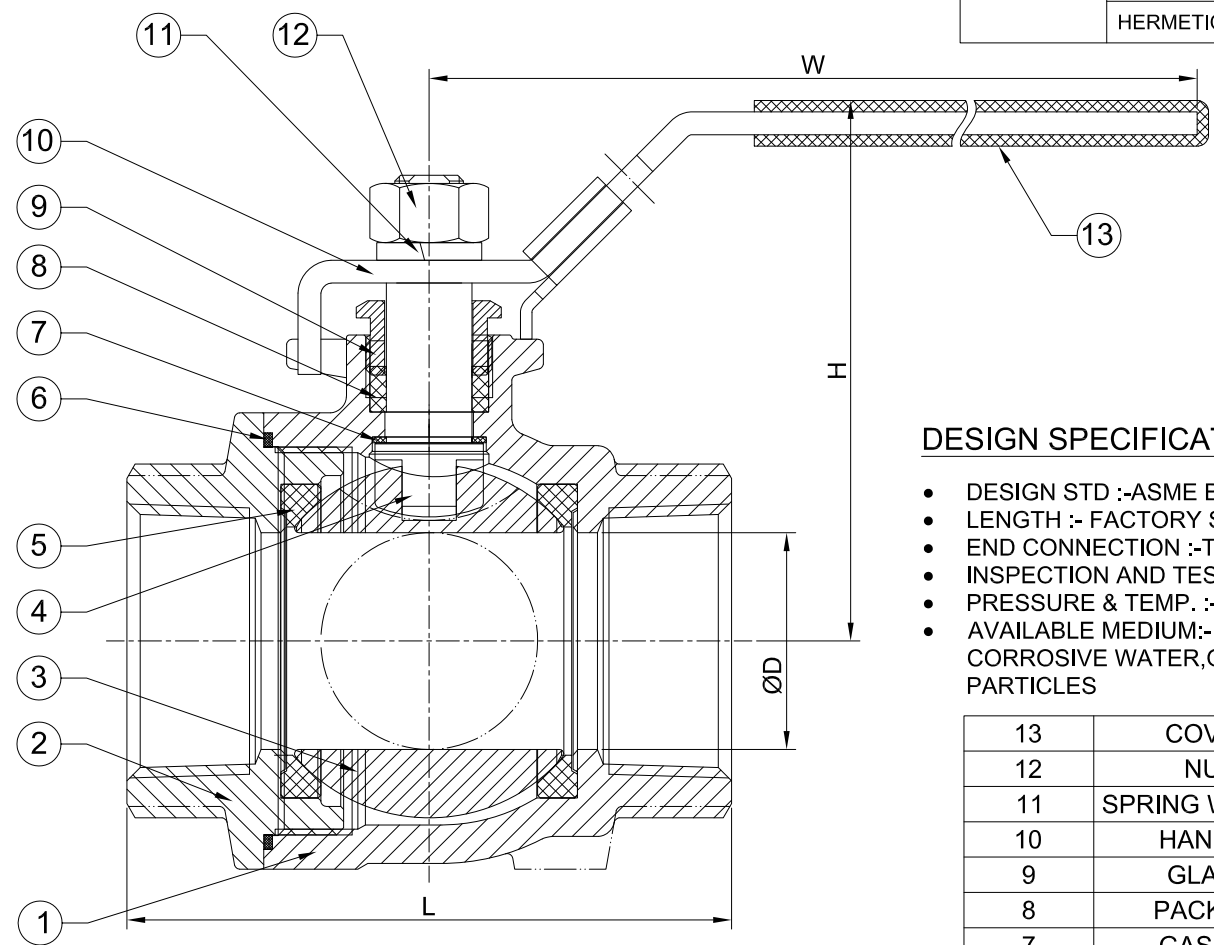


QTY.: - **SCALE:** NTS **SHEET SIZE:** A4

Item No:- 4,5 & 6 **SHEET NO.:** 01 OF 01
DWG NO:- OM-002

UNITS: MILLIMETER

REVISION: 00



DESIGN SPECIFICATION:

- DESIGN STD :-ASME B16.34
- LENGTH :- FACTORY STANDARD
- END CONNECTION :-THREADED TO ASME B1.20.1
- INSPECTION AND TESTING STD :- API 598
- PRESSURE & TEMP. :-29~38°C/6.9MPa, 160°C/0.5MPa
- AVAILABLE MEDIUM:- NON CORROSIVE OR WEAK CORROSIVE WATER,OIL,GAS,ETC. WITHOUT HARD PARTICLES

PART NO.	DESCRIPTION	MATERIAL	QTY
13	COVER	P.V.C.	1
12	NUT	A2-70	1
11	SPRING WASHER	SS 304	1
10	HANDLE	A240-304	1
9	GLAND	A182-F304	1
8	PACKING	P.T.F.E.	1
7	GASKET	P.T.F.E.	1
6	GASKET	P.T.F.E.	1
5	SEAT	P.T.F.E.	2
4	STEM	A276-316	1
3	BALL	A182-F316	1
2	CAP	A351-CF8M	1
1	BODY	A351-CF8M	1

ITEM NO.	SIZE	DIMENSION					PRESSURE
		D	W	H	L	TH1	
4	¼"	11.0	104.0	51.0	48.0	¼" NPT(F)	2000 PSI
5	½"	15.0	126.0	53.0	68.0	½" NPT(F)	2000 PSI
6	2"	50.0	189.0	102.0	130.0	2" NPT(F)	2000 PSI