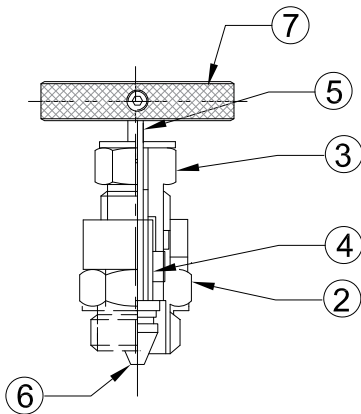
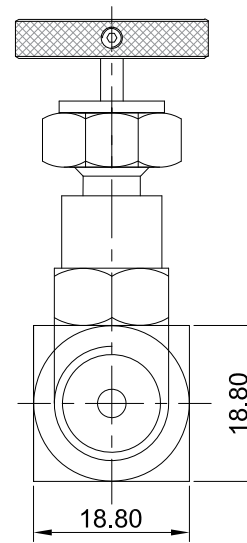
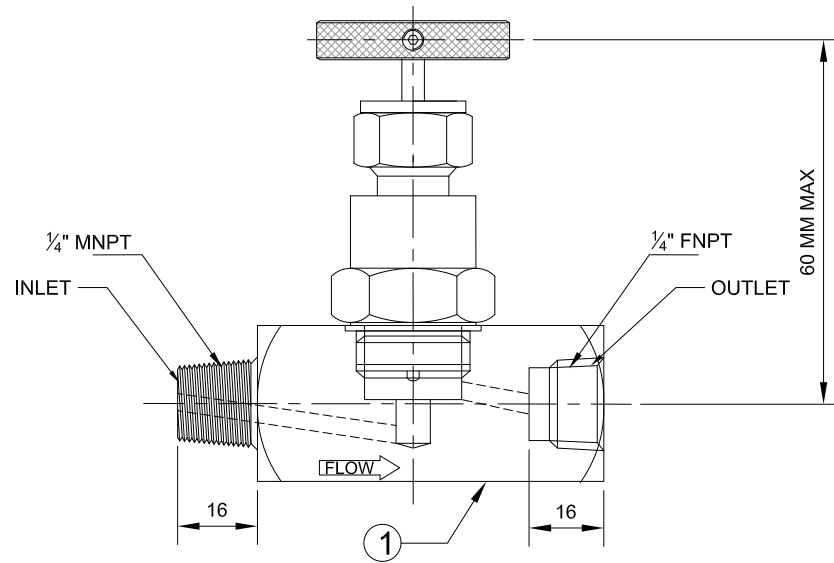


FLOW SYMBOL



TYPE	MINI NEEDLE VALVE
MATERIAL	SS 316
INLET	MNPT
SIZE	1/4"
OUTLET	FNPT
SIZE	1/4"
PRESSURE RATING	6000 PSI

Part No.	PART DESCRIPTION	MATERIAL	QTY
1	BODY	SS 316	1
2	GLAND BODY	SS 316	1
3	GLAND NUT	SS 316	1
4	GLAND SEAL	P.T.F.E.	2
5	SPINDLE	SS 316	1
6	TRIM	SS 316	1
7	HANDLE	SS 304	1

**General Note:**

1. All dimensions are in mm unless stated.
2. 100 % Factory tested.
3. Standard tolerances shall apply.
4. Threads comply with ASME B1.20.1, SAE A571051.

**Drawing Title:**

MINI NEEDLE VALVE

**Prepared By:**

V.A.

**Checked By:**

M.T.

**Approved By:**

A.Q.

**Date:**

07/13/2022

**CLIENT NAME:**

**QUOTE NO:-**



**QTY.:**

-

**Scale:**

NTS

**Sheet size:**

A4

**DWG NO:-**

NV - 04

**Sheet No.:**

01 OF 01

**Units:**

Millimeter

**Revision:**

00

